



# INSTRUCTION BULLETIN

No. 9021896  
Machine: M20/T20/M30  
Published: 01-2024  
Rev. 00

**NOTE: DO NOT DISCARD the Parts List from the Instruction Bulletin. Place the Parts List in the appropriate place in the machine manual for future reference. Retaining the Parts List will make it easier to reorder individual parts and will save the cost of ordering an entire kit.**

*NOTE: Numbers in parenthesis ( ) are reference numbers for parts listed in Bill of Materials.*

Installation instructions for **kit number 9021870**

Kit installation must be performed by TennantTrue<sup>®</sup> service or an authorized service provider.

## SYNOPSIS:

This kit contains the parts needed to assemble a manifold assembly for:

M20 sweeper scrubbers (NA serial numbers 014001- ) (CE serial numbers UO1500- )

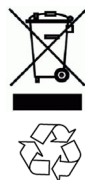
M30 sweeper scrubbers (NA/CE serial Numbers 010001- )

T20 scrubbers (NA serial numbers 013001- ) (CE serial numbers UO1400- ).

Please follow step-by-step instructions.

## SPECIAL TOOLS/CONSIDERATIONS: NONE

(Estimated time to complete: 30 minutes)



### PROTECT THE ENVIRONMENT

Please dispose of packaging materials, used machine components such as batteries and fluids in an environmentally safe way according to local waste disposal regulations.

Always remember to recycle.

## PREPARATION:

**FOR SAFETY: Before leaving or servicing machine, stop on level surface, turn off machine, set parking brake, and remove key.**

*NOTE: Refer to applicable kit/IB for locations of additional fittings installed onto the solution manifold (2).*

## INSTALLATION:

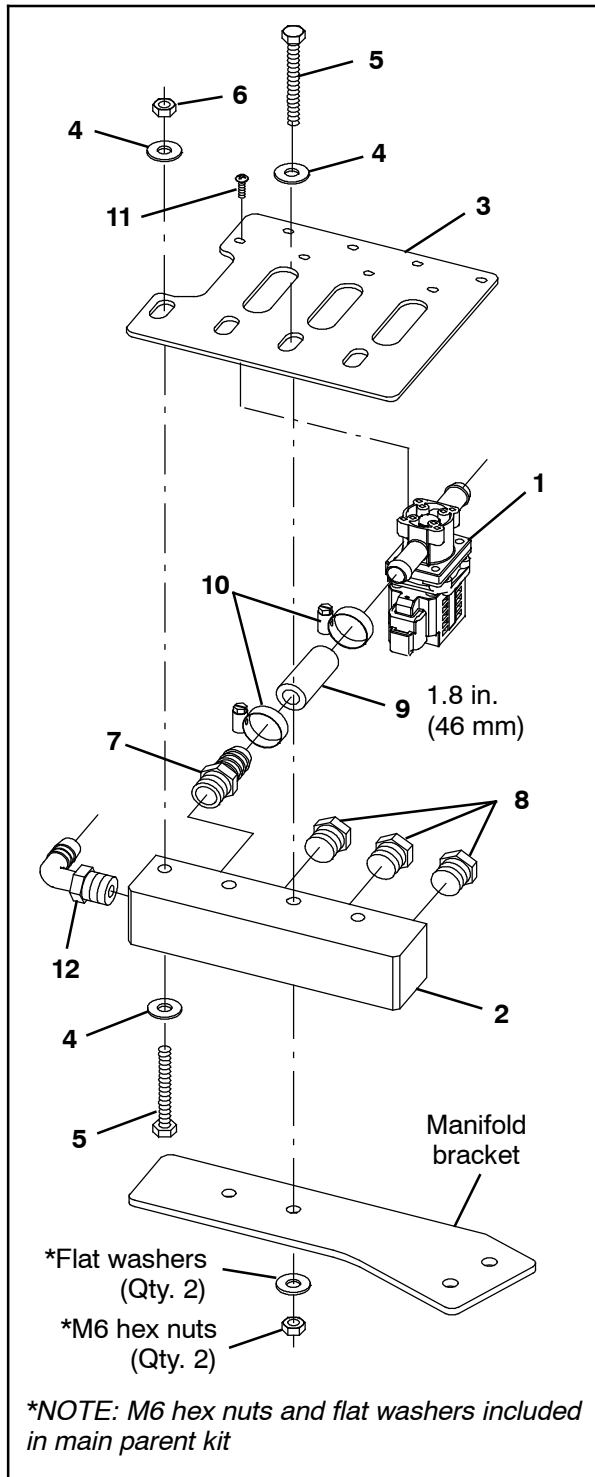
1. Thread a plug fitting (8) into the solution manifold (2) ports not to be used for the applicable kit installation. Refer to the applicable kit/IB for port(s) to be left open. (Fig. 1)

*NOTE: Only install plug(s) (8) into solution manifold (2) port(s) not used for installation of applicable kit. Refer to kit/IB for ports to be left open. (Fig. 1)*

2. Thread the plastic elbow fitting (12) into the solution manifold (2). (Fig. 1)
3. Thread the plastic straight fitting (7) into the solution manifold (2) MAIN port. (Fig. 1)
4. Use a hose clamp (10) to connect the 1.8 in. (46 mm) PVC hose (9) to the plastic straight fitting (7) in the solution manifold (2) MAIN port. (Fig. 1)
5. Use a hose clamp (10) to install the water solenoid valve (1) onto the 1.8 in. (46 mm) PVC hose (9) installed at the solution manifold (2) MAIN port. (Fig. 1)
6. Thread a plastic straight fitting into the applicable solution manifold (2) port for the kit being installed. Refer to the kit/IB for the port requiring a plastic straight fitting. (Fig. 1)

7. Use a hose clamp to connect the 1.8 in. (46 mm) PVC hose to the plastic straight fitting installed in the previous step. (Fig. 1)

8. Use a hose clamp to install a water solenoid valve onto the 1.8 in. (46 mm) PVC hose installed in the previous step. (Fig. 1)



9. Use two M6 hex screws (5), four flat washers (4), and two M6 hex nuts (6) to install the solution manifold assembly assembled in the previous steps onto the manifold mounting plate (3). (Fig. 1)

10. Use two pan screws (11) to secure the water solenoid valve (1) installed at solution manifold (2) MAIN port to the manifold mounting plate (3). (Fig. 1)

11. Use two pan screws to secure the other water solenoid valves to the corresponding locations on the manifold mounting plate (3). (Fig. 1)

12. Use two M6 hex screws (5), two flat washers (4), and two M6 hex nuts to install the solution manifold assembly in the previous steps onto the manifold bracket. (Fig. 1)

13. Install the solution manifold assembly onto the machine. Refer to the applicable IB for installation instructions.

FIG. 1

---

**Bill Of Materials For Parts Phantom, Manifold, Aftmkt - 9021870**

<b>Ref.</b>	<b>Tennant Part No.</b>	<b>Description</b>	<b>Qty.</b>
1	1076870	Valve, Water, Solenoid [12vdc, BM08/BM08]	1
2	1254833	Manifold, Soln	1
3	1254856	Plate, Manifold, Mtg	1
4	32490	Washer, Flat, 0.25, Std	6
5	1257800	Screw, Hex, M6 X 1.00 X 60, SS, FI	4
6	08712	Nut, Hex, Lock, M6 X 1.00, NL, SS	2
7	64743	Fitting, Plstc, Str, BM08/PM06	1
8	630146	Fitting, Plug, PM06, Hdpe	3
9	376716	Hose, PVC, Brd, 0.50ID 0.73OD, Bulk, Clr (1.8 in. (46 mm))	1
10	54333	Clamp, Hose, Worm Drive, 0.31-0.88D, .31W	2
11	763149	Screw, Pan, 06- X 0.38, F/Plstc	2
12	64778	Fitting, Plstc, E90, BM08/PM06	1

TENNANT COMPANY  
10400 Clean Street  
Eden Prairie, MN 55344- 2650